



## HYDRAULIKVENTILETECHNOLOGIE

### HVT Pressure Relief Valve Typ 150

#### Performance Data

Max. pressure	350 bar
Valve size	D < 6 mm
Opening pressure	10 - 900 bar, adjustable or permanently set
Flow	< 5 l/min @ 10 bar delta
interne leakage	< 1 ml/min

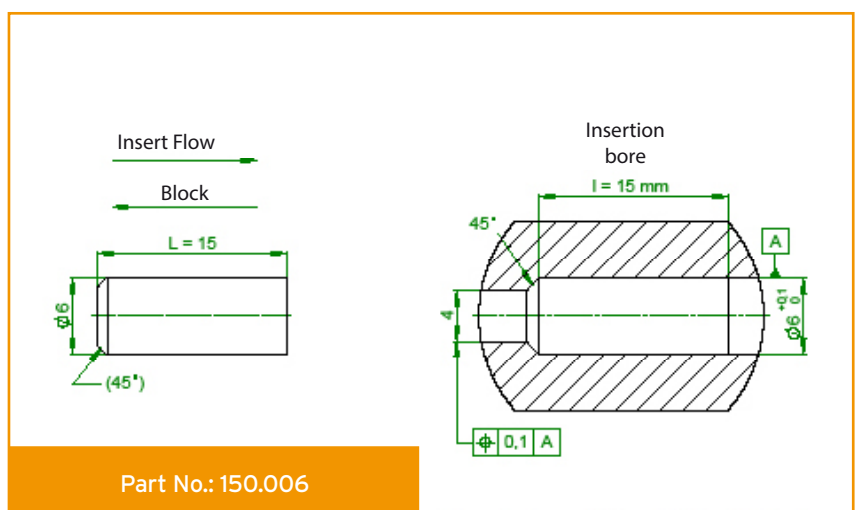
This pressure control valve is ideal for virtually all applications in hydraulics and pneumatics thanks to its robust design and construction. The control valve is a preassembled spring-loaded valve designed to limit/hold the pressure in hydraulic systems. The valve is supplied ready for insertion (cartridge) without any mounting and/or sealing elements.

All components in contact with media are manufactured of stainless steel. The steel-on-steel valve seat seal design guarantees a long service life.

Other versions available on request.



Figure approx. actual size



Part No.: 150.006